



# TRAFIBOT3

Intelligent optical vision camera for Automatic Incident Detection and traffic data collection



## Key Features:

- Full HD resolution with superior low light performance and wide dynamic range
- Provides critical traffic anomaly detection and traffic data collection
- IP66 and 67 certified, Nema TS2 temperature spec, with IK10 impact protection casing

## Main Applications:

- Traffic data collection
- Embedded incident detection
- Smoke detection in tunnels

[www.flir.com/trafibot3](http://www.flir.com/trafibot3)

## SPECIFICATIONS

Visual image and lens	
Motorized zoom	10x
Focal	5.1 mm to 51 mm (0.2 in to 2 in)
Image sensor	1/3" progressive scan CMOS
Effective pixels	1920 × 1080, 2.1 MP
HFOV	57°(W) to 6.2°(N)
Dynamic WDR	120 dB
Shutter speed	1/25 to 1/30000 s
Digital image stabilization	Yes
Video stream	
Number of streams	2
Encoding formats	AVC/H.264, HEVC/H.265
Analytics	
Automatic incident detection	<b>Traffic events</b>
	Stopped vehicle, Speed drop, Levels of service, Overspeed, Wrong-way drivers, Traffic congestion, underspeed
	<b>Non-traffic events</b>
	Smoke in tunnel, Pedestrian, Fallen object
	Technical alarms
Traffic data collection	Image quality
	<b>Traffic flow data per lane</b>
	Traffic flow speed, zone occupancy
	<b>Integrated vehicle traffic data</b>
	Average speed per vehicle class per lane (headway, gap time per length, class per lane), occupancy
	<b>Individual vehicle traffic data</b>
Speed, gap time, headway, vehicle classification	

Electrical	
Power options	24Vac/dc
	PoE IEEE802.3af or IEEE802.3at type I
Consumption	7 W nominal; 12 W max
Network	
Interface	100/1000Mbps, auto negotiating
Protocols	IPv4, TCP/IP, UDP, RTP, RTSP, HTTP, HTTPS, ICMP, FTP, SMTP, DHCP, UPnP, IGMP, SNMP, QoS, ONVIF, TLS1.2, IEEE802.1x
Environmental	
Operating temperature	Continuous: -30°C to +55°C (-22°F to 131°F) (sheltered, air temp)
	-34°C to +74°C (-29°F to 165°F) per Nema TS-2
Relative humidity	5% to 100%
Ingress protection	IP66/67
Impact casing	IK10
Mechanical	
Casing	316L stainless steel corrosion free for harsh environments
Weight	2.5 kg
Brackets	Wall/pole/ceiling
Finishing	Powder coated RAL9016
Sunshield	316L powder coated RAL9016
Network connector	Conec RJ45
Power connector	3-pin 7/8" Conec

Specifications subject to change. For the most up-to-date specifications, please visit [flir.com](http://flir.com).

For more information contact: [Sales@TeledyneFLIR.com](mailto:Sales@TeledyneFLIR.com)  
or to find your local support number, visit: [flir.com/contactsupport](http://flir.com/contactsupport)  
[www.teledyneflir.com](http://www.teledyneflir.com)

This product is subject to United States export regulations and may require US authorization prior to export, reexport, or transfer to non-US persons or parties. Diversion contrary to US law is prohibited.

For assistance with confirming the Jurisdiction & Classification of Teledyne FLIR, LLC products, please contact [exportquestions@flir.com](mailto:exportquestions@flir.com). ©2023 Teledyne FLIR, LLC. All rights reserved.

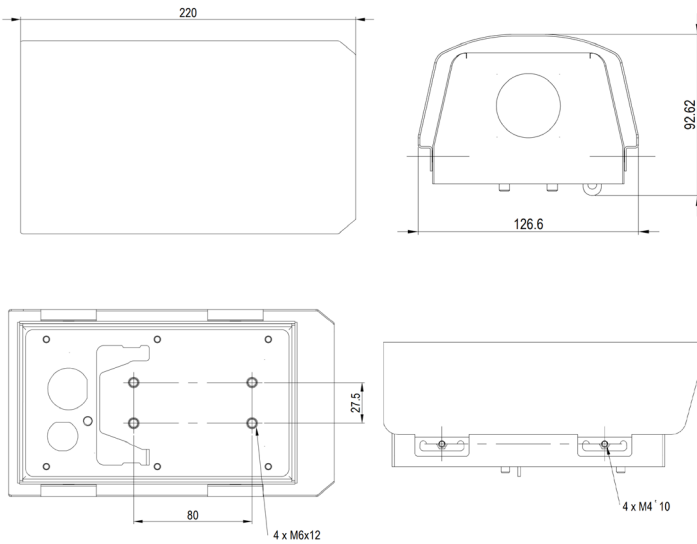
Revised 09/05/23  
TRAFIBOT3\_Datasheet-LTR 23-0403-INS

## SPECIFICATIONS, CONT.

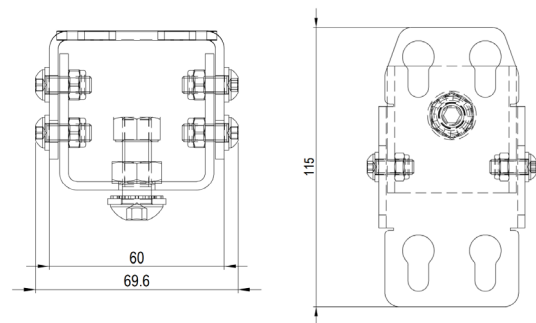
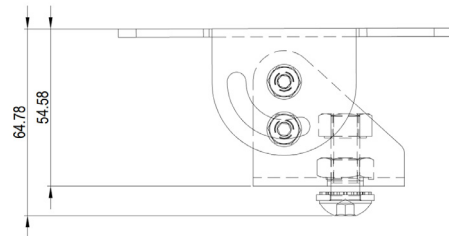
Mounting brackets	
Swivel	Alloy: 316L stainless steel, Also compatible with TrafiBot2, ThermiBot2 & ITS-Series Dual
Ceiling Mount	Alloy: 316L stainless steel, Also compatible with TrafiBot2, ThermiBot2 & ITS-Series Dual
Wall/Pole Mount	Alloy: 316L stainless steel, Also compatible with TrafiBot2, ThermiBot2 & ITS-Series Dual

Specifications subject to change. For the most up-to-date specifications, please visit [flir.com](http://flir.com).

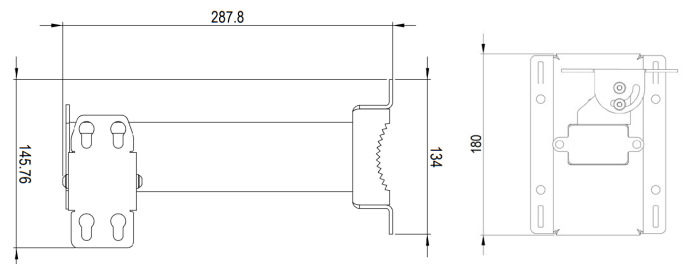
## CAMERA



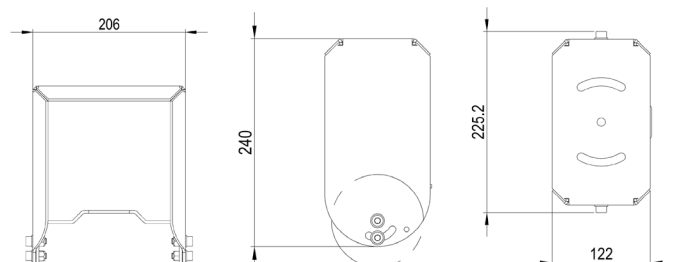
## SWIVEL



## WALL/POLE MOUNT



## CEILING MOUNT



For more information contact: [Sales@TeledyneFLIR.com](mailto:Sales@TeledyneFLIR.com)  
 or to find your local support number, visit: [flir.com/contactsupport](http://flir.com/contactsupport)  
[www.teledyneflir.com](http://www.teledyneflir.com)

This product is subject to United States export regulations and may require US authorization prior to export, reexport, or transfer to non-US persons or parties. Diversion contrary to US law is prohibited.  
 For assistance with confirming the Jurisdiction & Classification of Teledyne FLIR, LLC products, please contact [exportquestions@flir.com](mailto:exportquestions@flir.com). ©2023 Teledyne FLIR, LLC. All rights reserved.  
 Revised 09/05/23  
 TRAFIBOT3\_Datasheet-LTR 23-0403-INS