

P/N: 85208-0102

Copyright

© 2021, FLIR Systems, Inc.

All rights reserved worldwide. Names and marks appearing herein are either registered trademarks or trademarks of FLIR Systems and/or its subsidiaries. All other trademarks, trade names or company names referenced herein are used for identification only and are the property of their respective owners.

Document identity

Publ. No.: 85208-0102

Commit: 72251

Language:

Modified: 2020-12-01

Formatted: 2021-07-07

Website

<http://www.flir.com>

Customer support

<http://support.flir.com>

Disclaimer

Specifications subject to change without further notice. Camera models and accessories subject to regional market considerations. License procedures may apply. Products described herein may be subject to US Export Regulations. Please refer to exportquestions@flir.com with any questions.



General	
<p>The FLIR GF77 is a groundbreaking uncooled optical gas imaging camera with interchangeable lens options that allow you to detect methane, sulfur hexafluoride (SF6), ethylene, and other gas emissions. Capable of gas visualization and radiometric temperature measurement, the FLIR GF77 is an ideal inspection tool for electric power utilities, oil and natural gas operations, chemical/manufacturing facilities, the food, and agriculture industry, and first responders. The FLIR GF77 is compatible with two lens types: the FLIR GF77-LR lens is spectrally filtered for methane and other industry gases, while the FLIR GF77-HR lens is filtered for SF6, ammonia, and more.</p> <p>Based on the award-winning design of the FLIR T-series platform, the FLIR GF77 offers a vibrant, 4-inch touchscreen LCD, 180 degree rotating optical block, and eyepiece for convenience in direct sunlight. This affordable solution offers the benefit of built in thermographic calibrations and the flexibility to visualize multiple gases by simply changing lenses.</p>	
Imaging and optical data	
Infrared resolution	320 × 240 pixels
UltraMax (super-resolution)	Yes
Thermal sensitivity (NETD)	<ul style="list-style-type: none"> < 25 mK, 25° at +30°C (+86°F) < 40 mK, 6° at +30°C (+86°F)
Gas sensitivity (NECL)	<p>LR lens:</p> <ul style="list-style-type: none"> CH₄: < 100 ppm x m N₂O: < 75 ppm x m C₃H₈: < 400 ppm x m SO₂: < 30 ppm x m R-134a: < 20 ppm x m R-152a: < 100 ppm x m <p>HR lens:</p> <ul style="list-style-type: none"> SF₆: < 1 ppm x m C₂H₄: < 20 ppm x m NH₃: < 20 ppm x m <p>(ΔT = 10°C, Distance = 1 m)</p>
Field of view (FOV)	<ul style="list-style-type: none"> 25° x 19° 6.4° x 4.9°
Minimum focus distance	<ul style="list-style-type: none"> 0.3 m (0.98 ft), 25° 5 m (16.4 ft), 6°
Minimum focus distance with MSX	0.65 m (2.1 ft), 25°
Focal length	<ul style="list-style-type: none"> 18 mm (0.71 in), 25° 74 mm (2.9 in), 6°



FLIR GF77 LR 25° (7–8.5 μm) + HR 25° (9.5–12 μm) + LR 6° (7–8.5 μm) + HR 6° (9.5–12 μm)

P/N: 85208-0102

© 2021, FLIR Systems, Inc.

#85208-0102; r. 72251;

Imaging and optical data	
Spatial resolution (IFOV)	<ul style="list-style-type: none"> • 1.4 mrad/pixel, 25° • 0.36 mrad/pixel, 6°
Available extra lenses	No
Lens identification	Automatic
f-number	1.04, 25° 1.35, 6°
Image frequency	30 Hz
Focus	<ul style="list-style-type: none"> • Continuous LDM • One-shot LDM • One-shot contrast • Manual
Field of view match	Yes
Digital zoom	1–6× continuous
Lens spectral range	LR: 7–8.5 μm HR: 9.5–12 μm
Detector data	
Focal plane array/spectral range	Uncooled microbolometer/7–14 μm
Detector pitch	25 μm
Image presentation	
Resolution (display)	640 × 480 pixels (VGA)
Surface brightness (cd/m ²)	400
Screen size	4 in.
Viewing angle	80°
Color depth (bits)	24
Aspect ratio	4:3
Auto-rotation	Yes
Touchscreen	Optically bonded PCAP
Display technology	IPS
Cover glass material	Dragontrail®
Programmable buttons	2
Viewfinder	Yes
Image adjustment	<ul style="list-style-type: none"> • Automatic • Automatic maximum • Automatic minimum • HSM • Manual
Image presentation modes	
Infrared image	Yes
Visual image	Yes
MSX	Yes
Picture in picture	Resizable and movable
Gallery	Yes



FLIR GF77 LR 25° (7–8.5 μm) + HR 25° (9.5–12 μm) + LR 6° (7–8.5 μm) + HR 6° (9.5–12 μm)

P/N: 85208-0102

© 2021, FLIR Systems, Inc.

#85208-0102; r. 72251;

Measurement	
Camera temperature range	<ul style="list-style-type: none"> • -20 to 80°C (-4 to 176°F) • 0 to 250°C (32 to 482°F) • 100 to 500°C (212 to 932°F)
Accuracy — for ambient temperature +15 to +35° C (+59 to +95°F)	<ul style="list-style-type: none"> • Range -20 to 80°C (-4 to 176°F): ±3°C (±5.4°F) • Range 0 to 250°C (32 to 482°F): <ul style="list-style-type: none"> ◦ 0 to 100°C (32 to 212°F): ±3°C (±5.4°F) ◦ 100 to 250°C (212 to 482°F): ±3% • Range 100 to 500°C (212 to 932°F): ±3%
Inspection mode	
FLIR Inspection route	Enabled in the camera
Measurement analysis	
Spotmeter	3 in live mode
Area	3 in live mode
Automatic hot/cold detection	Automatic maximum/minimum markers within area
Measurement presets	<ul style="list-style-type: none"> • No measurements • Center spot • Hot spot • Cold spot • User preset 1 • User preset 2
Difference temperature	Yes
Reference temperature	Yes
Emissivity correction	Yes, variable from 0.01 to 1.0 or selected from materials list
Measurement corrections	Yes
Alarm	
Color alarm (isotherm)	<ul style="list-style-type: none"> • Above • Below • Interval • Condensation (moisture/humidity/dewpoint) • Insulation
Measurement function alarm	Audible/visual alarms (above/below) on any selected measurement function
Set-up	
Color palettes	<ul style="list-style-type: none"> • Arctic • White hot • Black hot • Iron • Lava • Rainbow • Rainbow HC
Setup commands	Local adaptation of units, language, date, and time formats
Languages	21
Service functions	
Camera software update	Using USB cable or SD card



FLIR GF77 LR 25° (7–8.5 μm) + HR 25° (9.5–12 μm) + LR 6° (7–8.5 μm) + HR 6° (9.5–12 μm)

P/N: 85208-0102

© 2021, FLIR Systems, Inc.

#85208-0102; r. 72251;

Storage of images	
Storage media	Removable memory: SD card
Time lapse (Periodic image storage)	10 seconds to 24 hours (infrared)
Remote control operation	Using USB cable or Wi-Fi
Image file format	Standard JPEG, measurement data included. Infrared-only mode
Image annotations	
Voice	60 seconds with built-in microphone and speaker (and via Bluetooth) on still images and video
Text	Text from predefined list or soft keyboard on touchscreen
Visual image annotation	Yes
Image sketch	Yes: on infrared only
Sketch	From touchscreen
METERLiNK	Wireless connection (Bluetooth) to: FLIR meters with METERLiNK
Compass	Yes
Laser distance meter information	Yes
Area measurement information	Yes
GPS	Location data automatically added to every still image and first frame in video from built-in GPS
Video recording in camera	
Radiometric infrared-video recording	RTRR (.csq)
Non-radiometric infrared-video recording	H.264 to memory card
Visual video recording	H.264 to memory card
Video streaming	
Radiometric infrared-video streaming (compressed)	Over UVC
Non-radiometric video streaming (compressed: IR, MSX, visual, Picture in Picture)	<ul style="list-style-type: none"> • H.264 (AVC) over RTSP (Wi-Fi) • MPEG4 over RTSP (Wi-Fi) • MJPEG over UVC and RTSP (Wi-Fi)
Visual video streaming	Yes
Digital camera	
Resolution	5 MP with LED light
Focus	Fixed
Field of view	53° × 41°
Video lamp	Built-in LED light
Laser pointer	
Laser alignment	Position is automatically displayed on the infrared image
Laser distance meter	Activated by dedicated button
Laser	Class 2, 0.05–40 m (0.16–131 ft) ±1% of measured distance



FLIR GF77 LR 25° (7–8.5 μm) + HR 25° (9.5–12 μm) + LR 6° (7–8.5 μm) + HR 6° (9.5–12 μm)

P/N: 85208-0102

© 2021, FLIR Systems, Inc.

#85208-0102; r. 72251;

Data communication interfaces	
Interfaces	USB 2.0, Bluetooth, Wi-Fi, DisplayPort
METERLiNK/Bluetooth	Communication with headset and external sensors
Wi-Fi	Peer to peer (ad hoc) or infrastructure (network)
Audio	Microphone and speaker for voice annotation of images
USB	USB Type-C: data transfer/video/power
USB standard	USB 2.0 High Speed
Video out	DisplayPort
Video connector type	DisplayPort over USB Type-C
Radio	
Operating frequency	Bluetooth + EDR/LE: 2402–2480 MHz WLAN 2.4 GHz: 2412–2462 MHz WLAN 5 GHz: 5150–5350 MHz (DFS: only slave mode) Note that frequency band 5150–5350 MHz is for indoor use only, see national regulations.
RF output (EIRP)	Bluetooth + EDR/LE: < 10 dBm WLAN: < 17 dBm
Antenna	Integrated PIFA antenna (gain: maximum 1.4 dBi)
Power system	
Battery type	Rechargeable Li-ion battery
Battery voltage	3.6 V
Battery operating time	> 4 hours at 25°C (68°F) with typical use
Charging system	In camera (AC adapter or 12 V from a vehicle) or two-bay charger
Charging time (using two-bay charger)	3.5 h to 90% capacity, on-screen indicator
Charging temperature	0°C to +45°C (+32°F to +113°F), except for the Korean market: +10°C to +45°C (+50°F to +113°F)
External power operation	AC adapter 90–260 V AC (50/60 Hz) or 12 V from a vehicle (cable with standard plug, optional)
Power management	Automatic shut-down and sleep mode
Environmental data	
Operating temperature range	–15 to +50°C (5 to +122°F)
Storage temperature range	–40 to +70°C (–40 to 158°F)
Humidity (operating and storage)	IEC 60068-2-30/24 hours, 95% relative humidity, 25–40°C (77–104°F)/2 cycles
EMC	<ul style="list-style-type: none"> ETSI EN 301 489-1 (radio) ETSI EN 301 489-17 EN 61000-6-2 (immunity) EN 61000-6-3 (emission) FCC 47 CFR part 15 B, class B (emission)
Radio spectrum	<ul style="list-style-type: none"> ETSI EN 300 328 ETSI EN 301 893 FCC 47 CFR part 15 C FCC 47 CFR part 15 E
Encapsulation	IP 54 (IEC 60529)



FLIR GF77 LR 25° (7–8.5 μm) + HR 25° (9.5–12 μm) + LR 6° (7–8.5 μm) + HR 6° (9.5–12 μm)

P/N: 85208-0102

© 2021, FLIR Systems, Inc.

#85208-0102; r. 72251;

Environmental data	
Shock	25g (IEC 60068-2-27)
Vibration	2g (IEC 60068-2-6)
Safety	Camera: <ul style="list-style-type: none"> IEC/EN 60950-1, IEC/EN 62368-1 Power supply: <ul style="list-style-type: none"> IEC/EN 62368-1 CSA/UL/KC/SAA/PSE 60950-1
Physical data	
Weight (including battery)	1.4 kg (3.1 lb)
Size (L x W x H)	Camera with 25° lens: <ul style="list-style-type: none"> Lens vertical: 150.5 x 201.3 x 84.1 mm (5.9 x 7.9 x 3.3 in) Lens horizontal: 150.5 x 201.3 x 167.3 mm (5.9 x 7.9 x 6.6 in) Camera with 6° lens: <ul style="list-style-type: none"> Lens vertical: 204.6 x 201.3 x 84.1 mm (8.1 x 7.9 x 3.3 in) Lens horizontal: 150.5 x 201.3 x 167.3 mm (5.9 x 7.9 x 6.6 in)
Battery weight	195 g (6.89 oz)
Battery size (L x W x H)	59 x 66 x 94 mm (2.3 x 2.6 x 3.7 in)
Tripod mounting	UNC 1/4"-20
Housing material	PCABS with TPE, magnesium
Color	Black
Warranty and service	
Warranty	http://www.flir.com/warranty/
Shipping information	
Packaging, type	Cardboard box
Packaging, contents	<ul style="list-style-type: none"> Accessory box I: <ul style="list-style-type: none"> Power supply for battery charger Power supply, 15 W/3 A Printed documentation SD card (8 GB) USB 2.0 A to USB Type-C cable USB Type-C to HDMI and PD adapter USB Type-C to USB Type-C cable (USB 2.0 standard) Accessory box II: <ul style="list-style-type: none"> Lens cap strap Lens cleaning cloth Neck strap Small eyecup Battery (2 ea) Battery charger Hard transport case Infrared camera Lens cap, front Lens cap, front and rear (only for extra lenses) Lens, HR 25° Lens, HR 6° Lens, LR 25° Lens, LR 6°
Packaging, weight	6.7 kg (14.8 lb)



FLIR GF77 LR 25° (7–8.5 μm) + HR 25° (9.5–12 μm) + LR 6° (7–8.5 μm) + HR 6° (9.5–12 μm)

P/N: 85208-0102

© 2021, FLIR Systems, Inc.

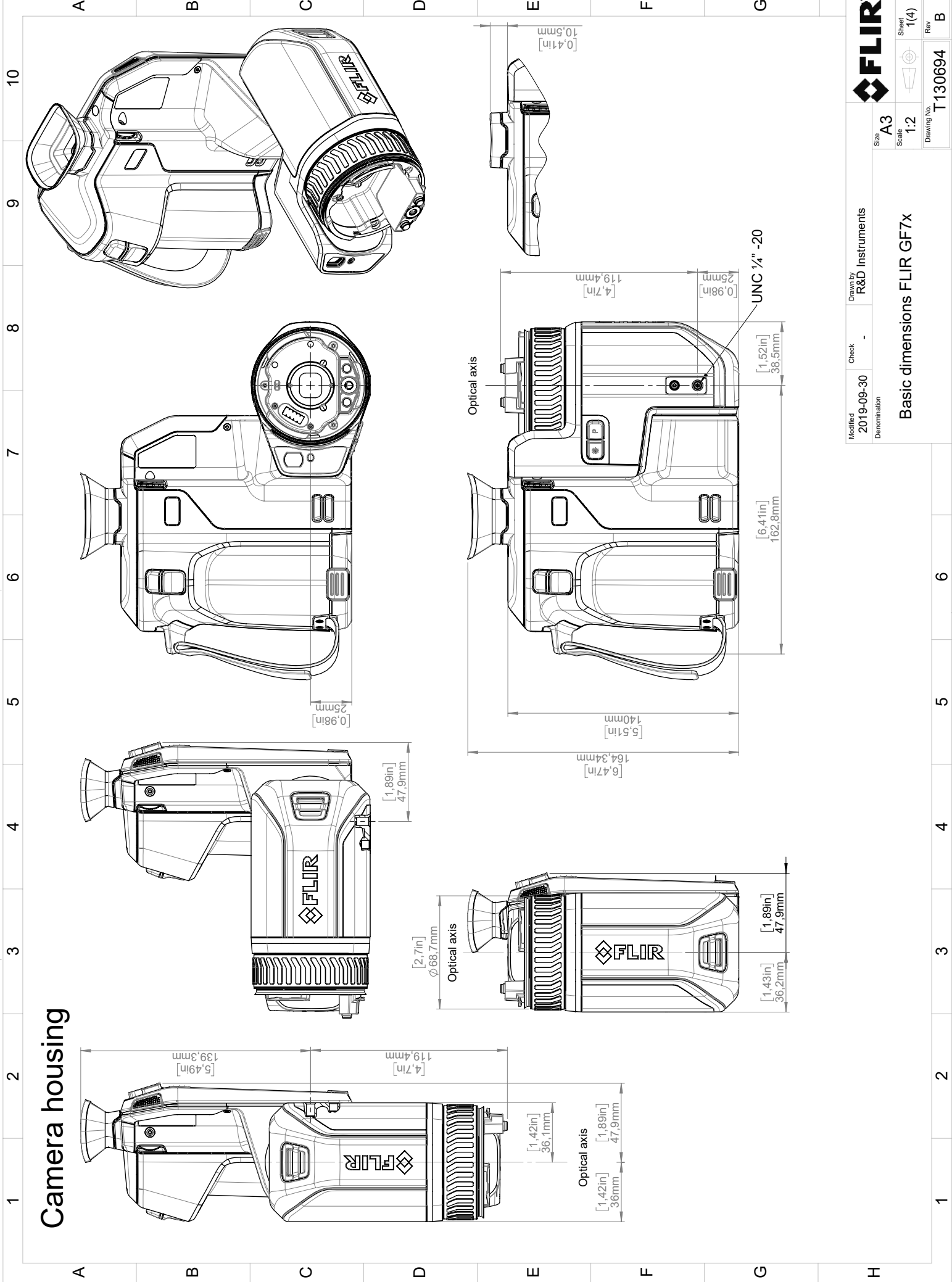
#85208-0102; r. 72251;

Shipping information	
Packaging, size	500 × 190 × 370 mm (19.7 × 7.5 × 14.6 in)
EAN-13	7332558027196
UPC-12	845188023263
Country of origin	Sweden

Supplies & accessories:

- T300112; IR lens HR 6° (9.5–12 μm) with case
- T300114; IR lens HR 25° (9.5–12 μm) with case
- T300115; IR lens LR 25° (7–8.5 μm) with case
- T300129; IR lens LR 6° (7–8.5 μm) with case
- T199300ACC; Battery
- T199347ACC; Hard transport case for FLIR T8xx, T5xx, and GF7x series
- T199610; Battery charger
- T130531ACC; Large eyecup
- T300178; Hand strap and neck strap
- T911630ACC; Power supply for camera, 15 W/3 A
- T911631ACC; USB 2.0 A to USB Type-C cable, 0.9 m
- T911633ACC; Power supply for battery charger
- T911705ACC; USB Type-C to USB Type-C cable (USB 2.0 standard), 1.0 m
- T911706ACC; Car adapter 12 V
- T911845ACC; USB Type-C to HDMI and PD adapter
- T911846ACC; USB 2.0 A to USB Type-C with Power supply
- T300437ACC; Lens case
- T198495; Pouch
- T197771ACC; Bluetooth Headset
- T300243; FLIR Thermal Studio Pro, 1 Year Subscription
- T300083; FLIR Thermal Studio Pro, Perpetual license
- T300341; FLIR Thermal Studio Standard, 1 Year Subscription
- T300258; FLIR Thermal Studio Standard, Perpetual license
- T198583; FLIR Tools+ (download card incl. license key)
- T198696; FLIR ResearchIR Max 4 (hardware sec. dev.)
- T199013; FLIR ResearchIR Max 4 (printed license key)
- T199043; FLIR ResearchIR Max 4 Upgrade (printed license key)
- INST-EW-0170; Extended Warranty 1 Year for T10xx, GF7x
- INST-EWGM-0180; Premium Service Package for A310pt, T10xx, GF7x
- INST-GM-0160; General Maintenance Package for T10xx, GF7x, P6xx, X90, SC1000

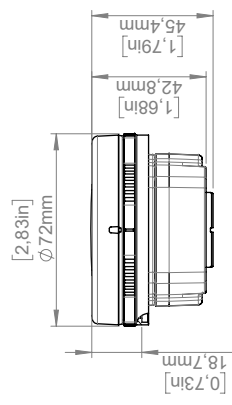
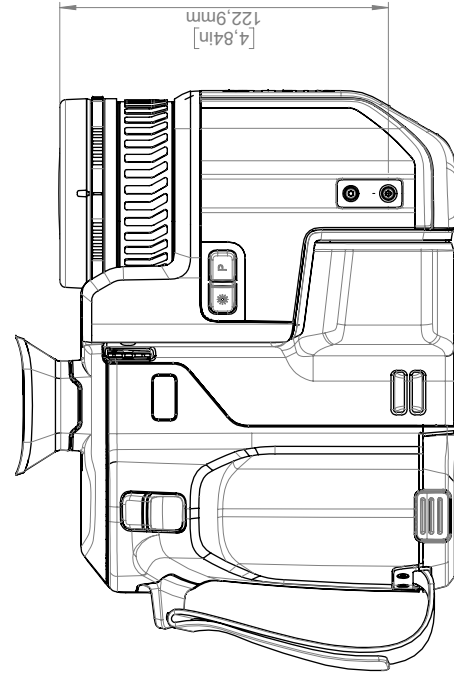
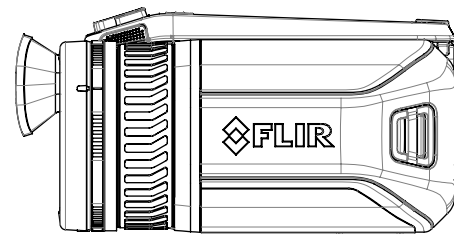
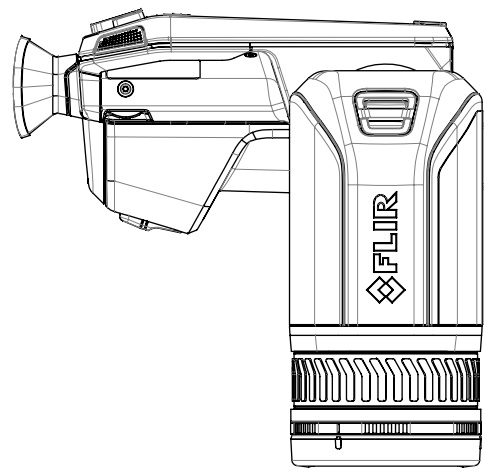
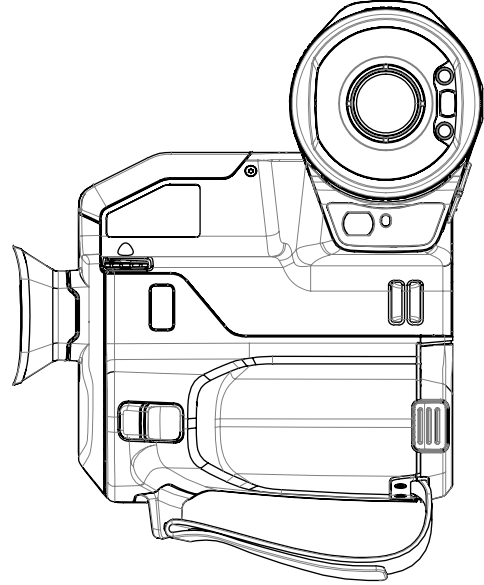
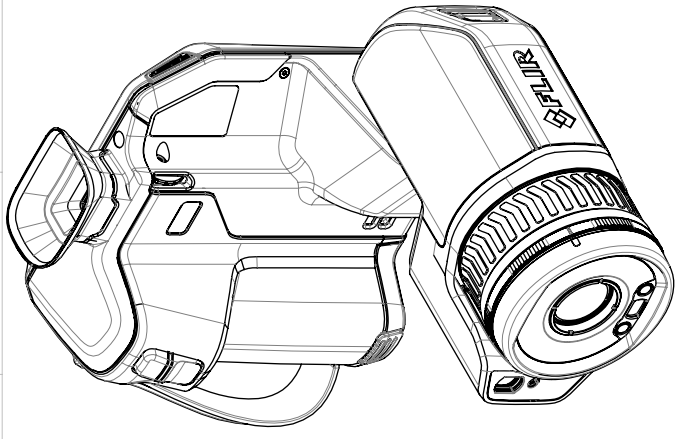
Camera housing



© 2016, FLIR Systems, Inc. All rights reserved worldwide. No part of this drawing may be reproduced, stored in a retrieval system, or transmitted in any form, or by any means, electronic, mechanical, photocopying, recording, or otherwise, without written permission from FLIR Systems, Inc. Specifications subject to change without further notice. Dimensional data is based on nominal values. Products may be subject to regional market considerations. License procedures may apply. Product may be subject to US Export Regulations. Please refer to exportquestions@flir.com with any questions. Diversion contrary to US law is prohibited.

Modified	2019-09-30	Check	-	Drawn by	R&D Instruments	Size	A3	FLIR	
Denomination						Scale	1:2	Sheet	1(4)
						Drawing No.	T130694	Rev	B
Basic dimensions FLIR GF7x									

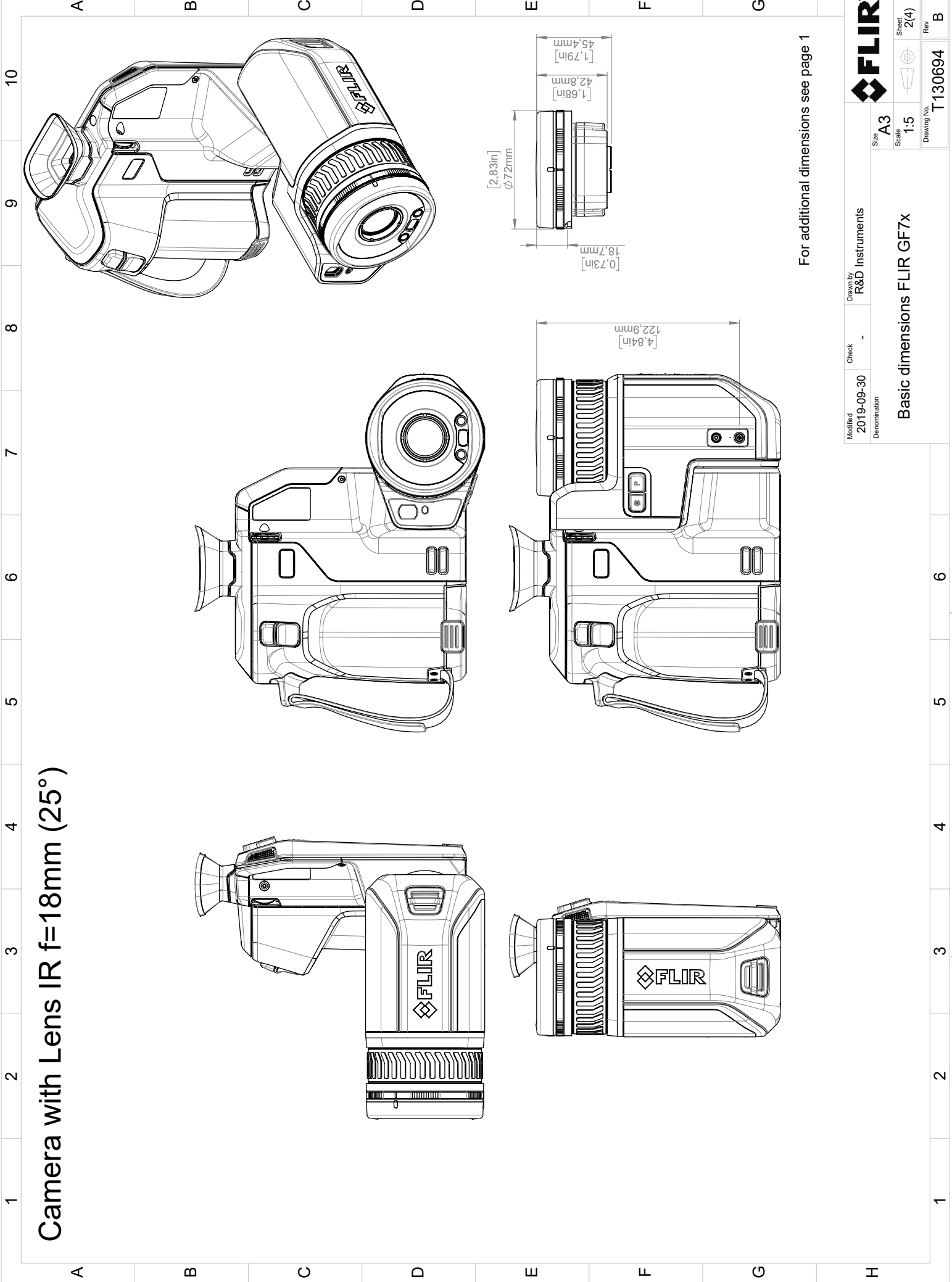
Camera with Lens IR f=18mm (25°)



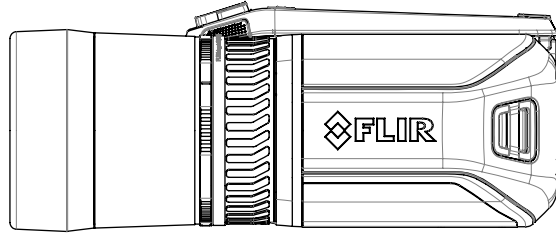
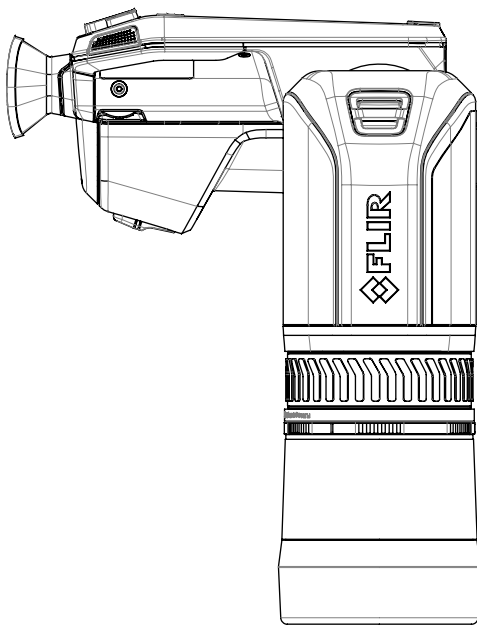
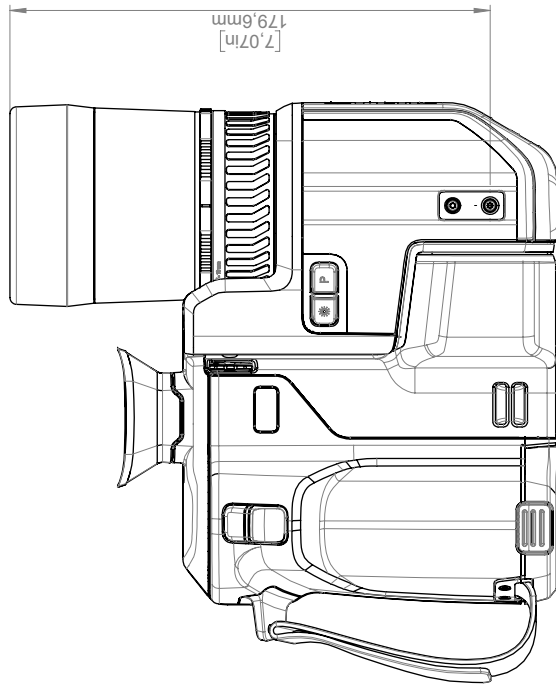
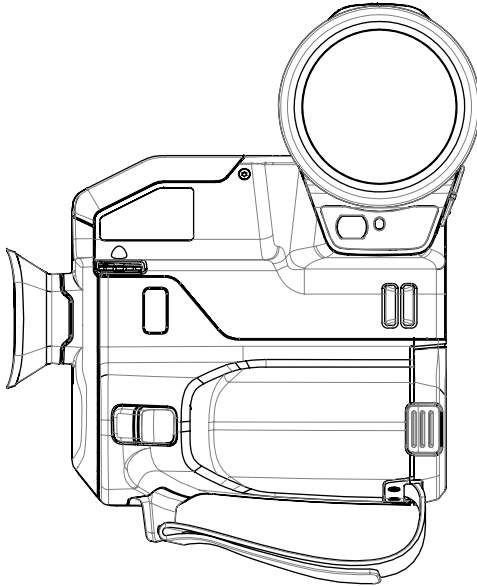
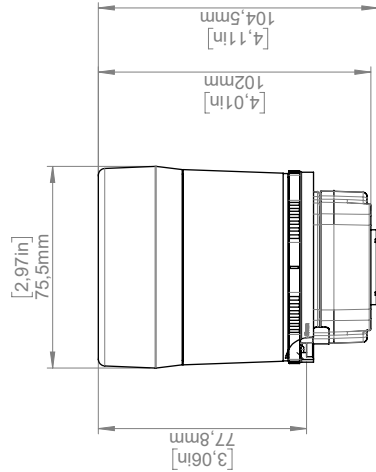
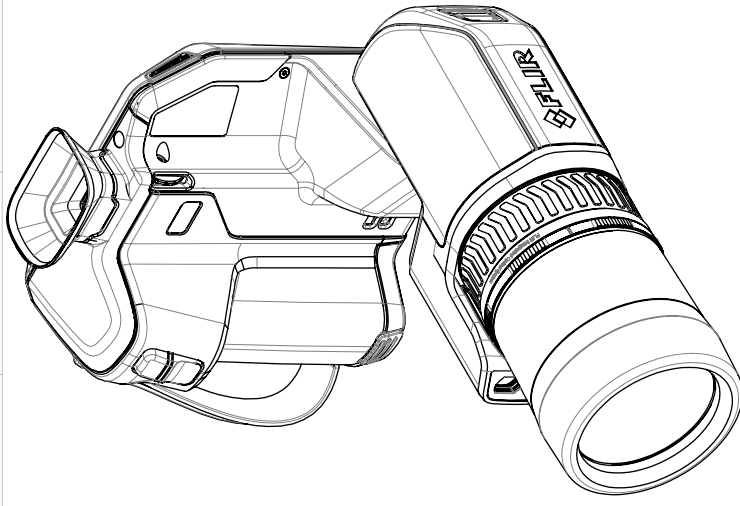
For additional dimensions see page 1

© 2016, FLIR Systems, Inc. All rights reserved worldwide. No part of this drawing may be reproduced, stored in a retrieval system, or transmitted in any form, or by any means, electronic, mechanical, photocopying, recording, or otherwise, without written permission from FLIR Systems, Inc. Specifications subject to change without further notice. Dimensional data is based on nominal values. Products may be subject to regional market considerations. License procedures may apply. Product may be subject to US Export Regulations. Please refer to exportquestions@flir.com with any questions. Diversion contrary to US law is prohibited.

Modified 2019-09-30	Check	Drawn by R&D Instruments	FLIR
Denomination			Size A3
Basic dimensions FLIR GF7x			Sheet 2(4)
Drawing No. T130694			Rev B



Camera with Lens IR f=74mm (6°)

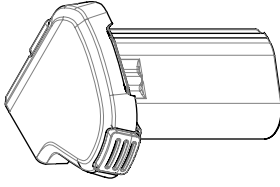
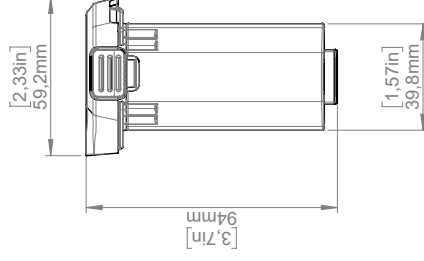
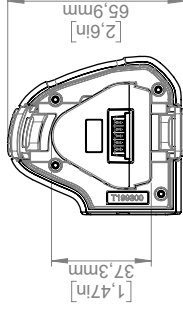
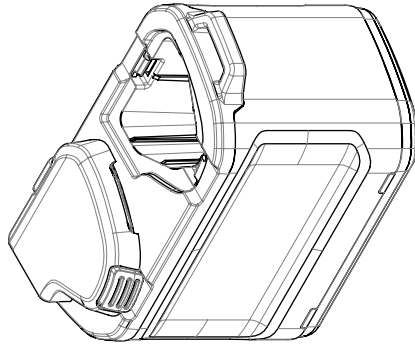
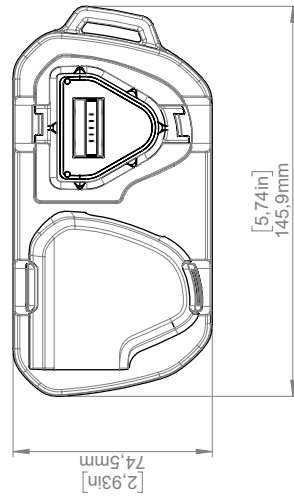
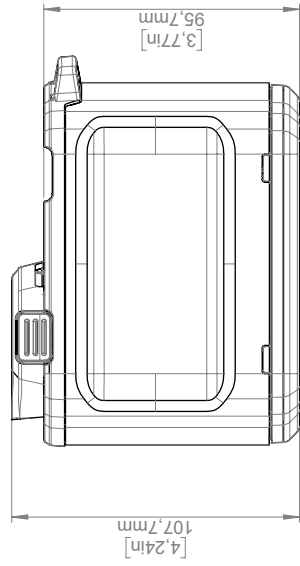


For additional dimensions see page 1

Modified 2019-09-30 Denomination	Check	Drawn by R&D Instruments	FLIR
Basic dimensions FLIR GF7x			Size A3
Drawing No. T130694			Sheet 3(4)
Rev			B

© 2016, FLIR Systems, Inc. All rights reserved worldwide. No part of this drawing may be reproduced, stored in a retrieval system, or transmitted in any form, or by any means, electronic, mechanical, photocopying, recording, or otherwise, without written permission from FLIR Systems, Inc. Specifications subject to change without further notice. Dimensional data is based on nominal values. Products may be subject to regional market considerations. License procedures may apply. Product may be subject to US Export Regulations. Please refer to exportquestions@flir.com with any questions. Diversion contrary to US law is prohibited.

Battery Charger



Modified
2019-09-30
Denomination

Drawn by
R&D Instruments

Check
-

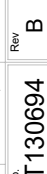
Size
A3

Scale
1:5

Sheet
4(4)

Drawing No.
T130694

Rev
B



Täby, Sweden July 07, 2021

AQ320246

CE Declaration of Conformity – EU Declaration of Conformity

Product:

Name and address of the manufacturer: FLIR Systems AB
 PO Box 7376
 SE-187 15 Täby, Sweden

This declaration of conformity is issued under the sole responsibility of the manufacturer.

The object of the declaration: FLIR T5XX-, T8XX- and GF7X-series (Product Model Name FLIR-T8210).

The object of the declaration described above is in conformity with the relevant Union harmonisation legislation:

Directives

Directive	2012/19/EU	Waste electrical and electric equipment
Directive	2011/65/EU	RoHS and 2015/830/EU (Phtalates)
Directive	2014/53/EU	Radio Equipment Directive (RED)

Standards

Emission:	EN 61000-6-3/A1:2011	EMC – Generic standards
Immunity:	EN 61000-6-2:2005	Electromagnetic Compability Generic
	EN 301489-1:2016 v2.1.0	ERM – EMC for radio equipment
	EN 301489-17:2012 v2.2.1	ERM – EMC Wideband data
EMC Radio	ETSI EN 301 489-17 v3.2.0	EMC for radio, broadband data transmission
RoHS:	EN 50581:2012	Technical documentation
Radio:	ETSI EN 300 328 v2.2.2	Harmonized EN covering essential requirements of the R&TTE Directive
	ETSI EN 301 893 v.2.1.1	5GHz WLAN
Safety:	IEC 62368-1:2014 Ed 2 and Cor. 1:2015, EN 62368-1:2014/AC:2015/A11:2017	Audio/video, information and communication technology equipment, Part 1: Safety

FLIR Systems AB
 Quality Assurance



Lea Dabiri
 Quality Manager



emitec
 industrial

Emitec Messtechnik AG
 Birkenstrasse 47
 6343 Rotkreuz

+41 41 748 60 10
 info@emitec.ch
 www.emitec-industrial.ch



Emitec Group 
 #1 in Test & Measurement, worldwide.